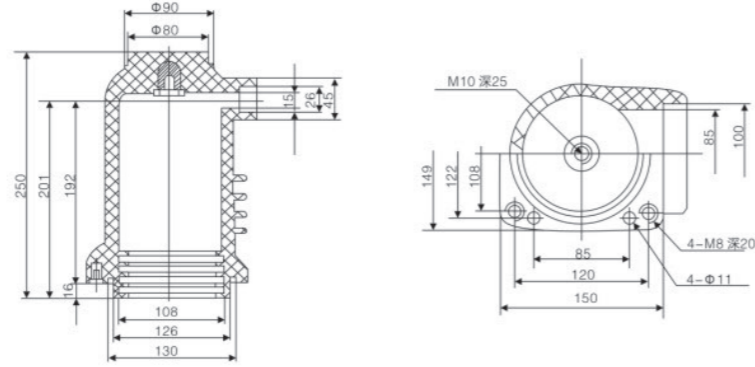


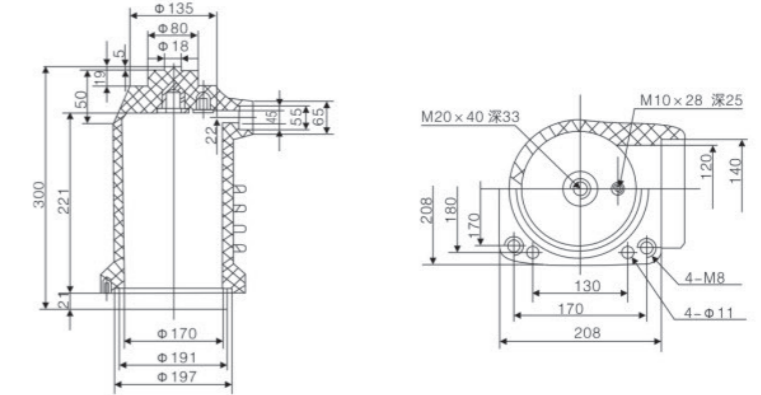


触头盒系列
Contact box series

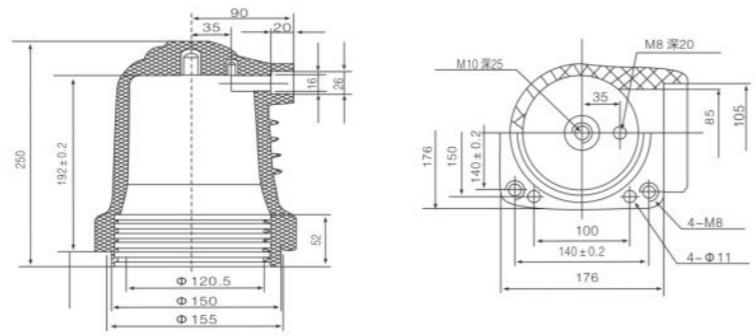
CH3-10Q/150触头盒
630~1250A



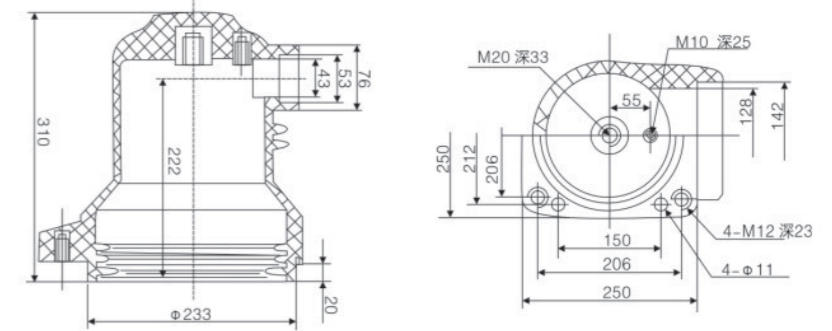
CH3-10Q/208触头盒
1600~2000A



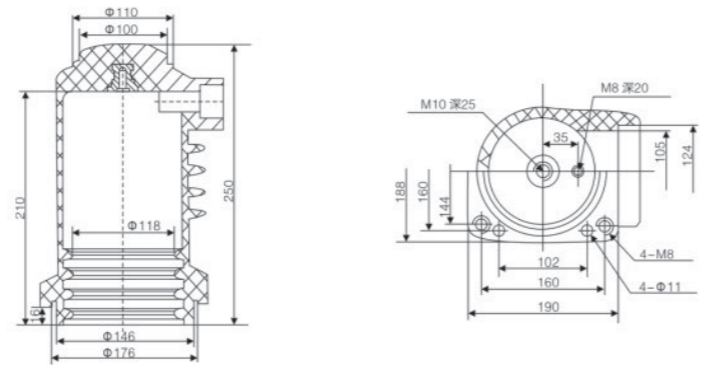
CH3-10Q/180触头盒
1250A



CH3-10Q/250触头盒
2500~3150A



CH3-10Q/190触头盒
1600A



CH3-10Q/270触头盒
20000A

